

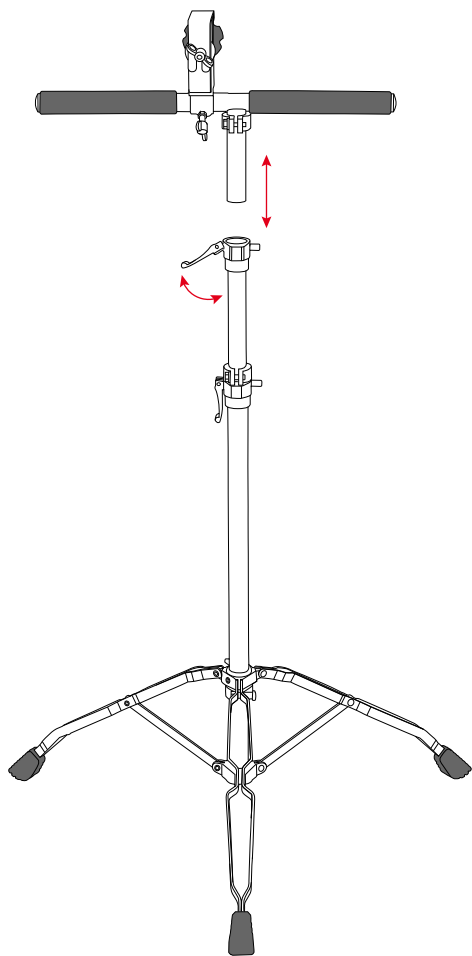


ASSEMBLY INSTRUCTION

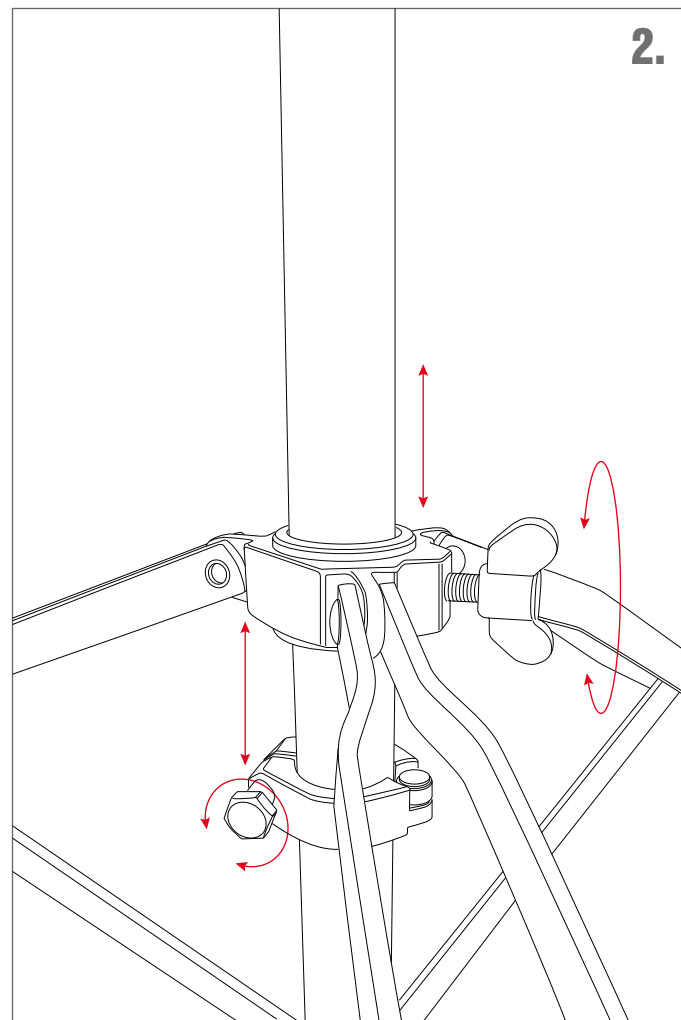
PROFESSIONAL BONGO STAND

TMB

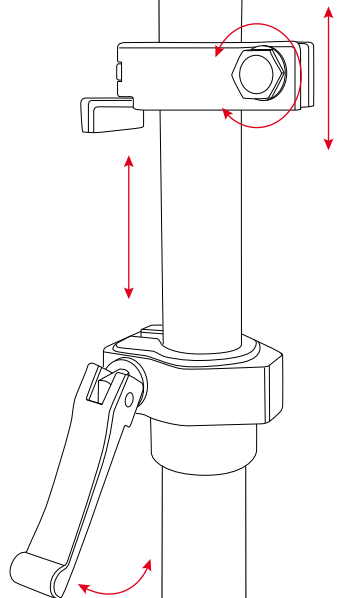
1.



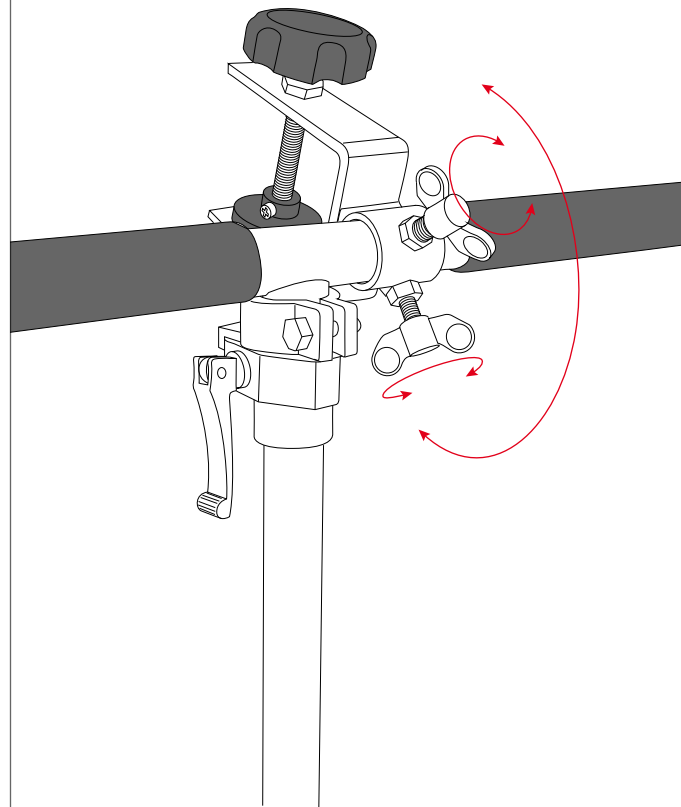
2.



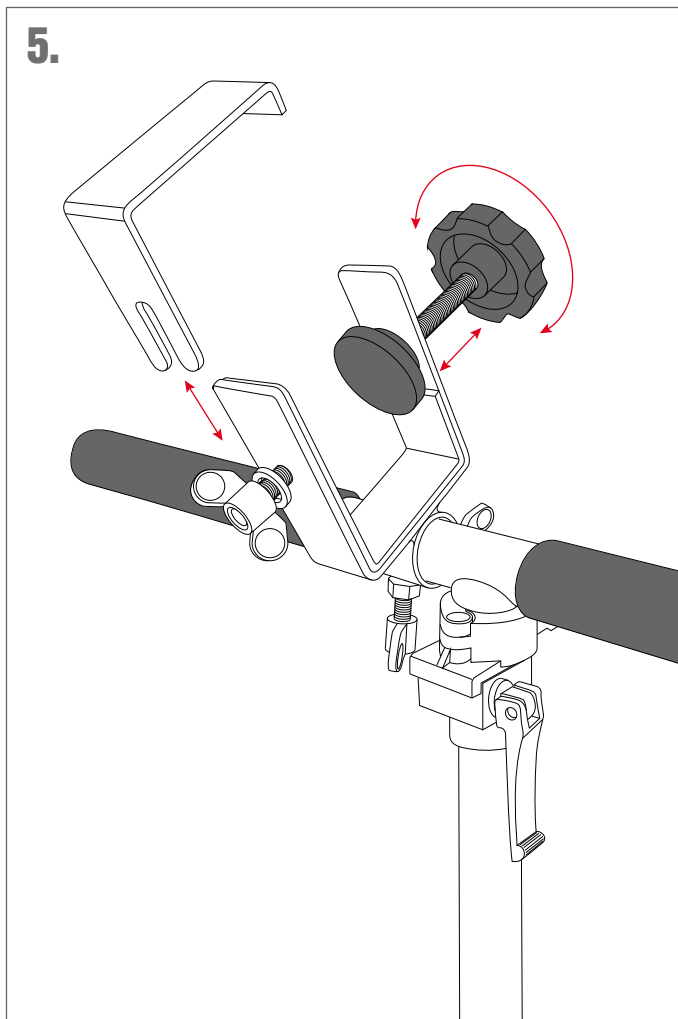
3.



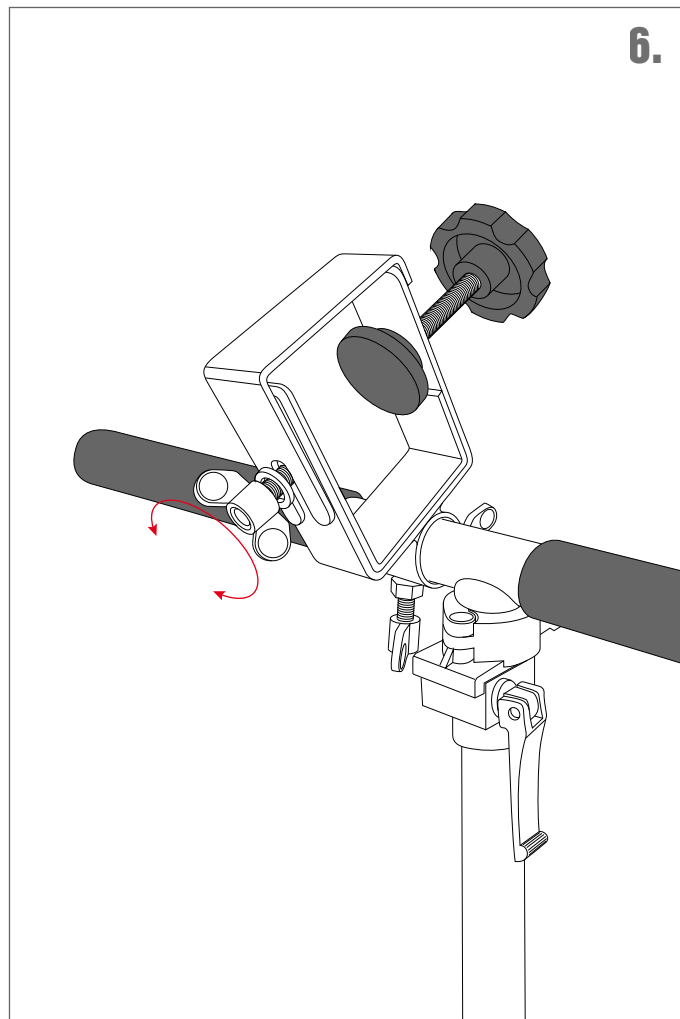
4.

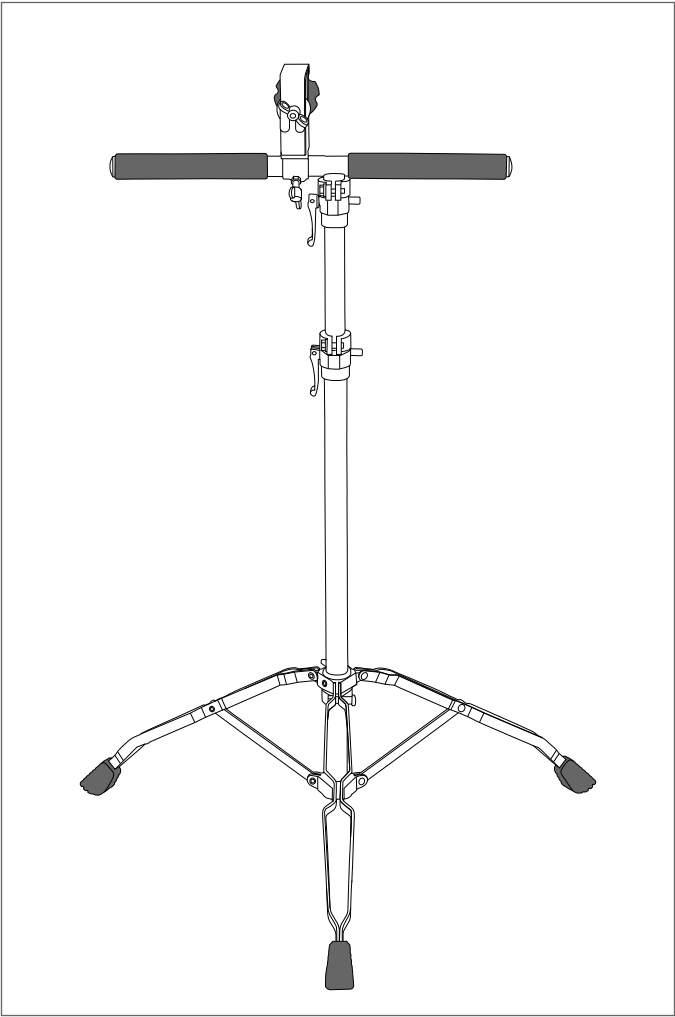


5.



6.







PROFESSIONAL BONGO STAND

TMB

The MEINL Bongo Stand features a design concept and simple functionality. The bongo is placed on a padded T-shaped tube and secured with a convenient knob screw. A stable metal clamp holds the entire unit securely in place.

- Padded T-shaped tube
- Fully height- and angle adjustable
- Double braced tripod legs
- Fits all common bongos

Roland Meinl Musikinstrumente GmbH & Co. KG
Musik-Meinl-Str. 1, 91468 Gutenstetten, Germany
info@meinlpercussion.com
meinlpercussion.com